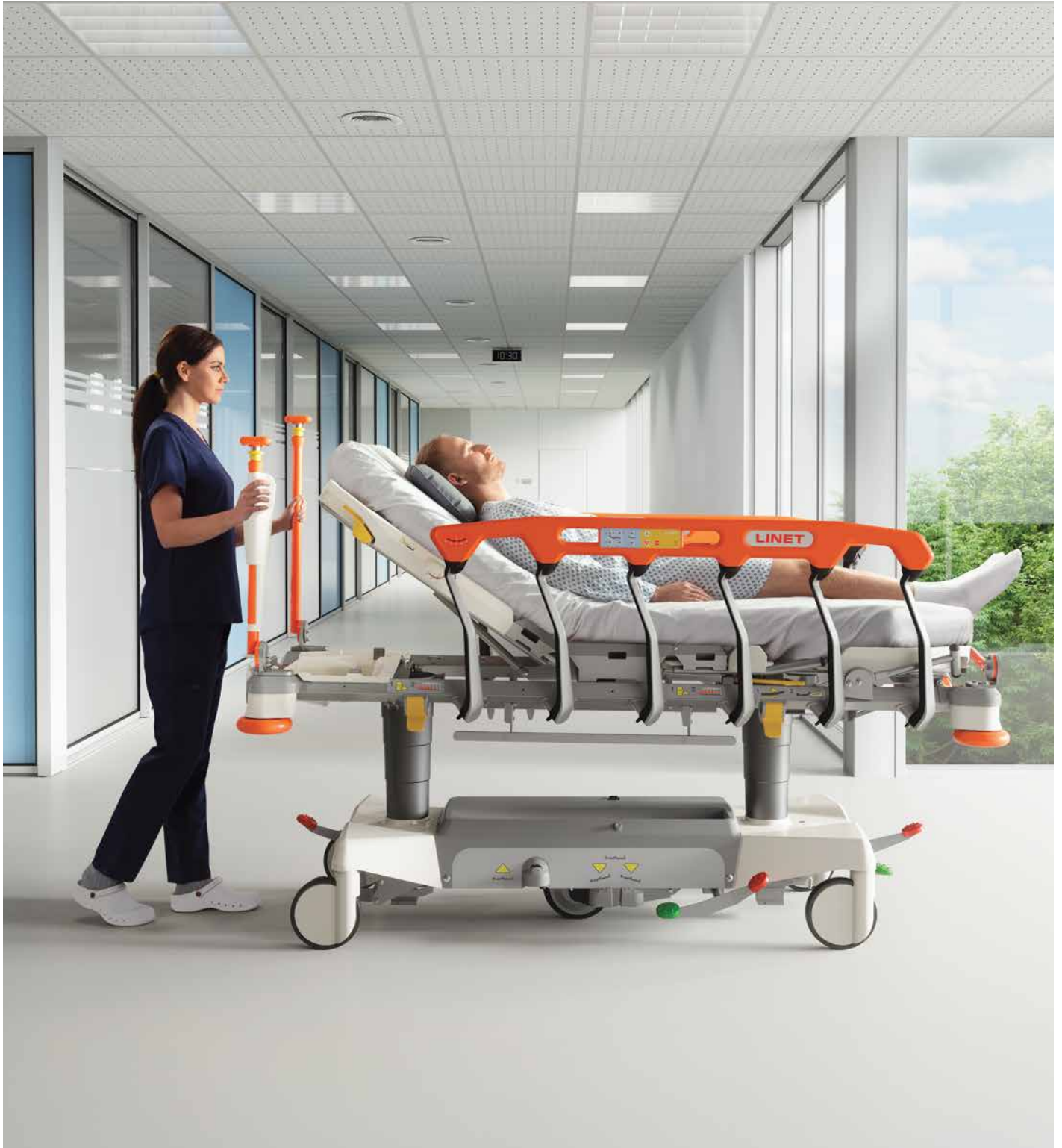


SPRINT SERIES

LINET

The Stretcher Redefined



Premium Transport & Emergency Stretchers

STRETCHERS BUILT FOR THE WILDEST SHIFT EVER

Imagine the emergency department – where every second counts and life-or-death decisions are made. Most days, there’s no easy way through. Nurses are at the center, thinking fast, moving faster, holding it all together with compassion.

But the reality is tough: global staff shortages and an aging workforce stretch them thin. Back pain, burnout, and constant time pressure – it adds up. Yet they still give everything to make patients feel safe and cared for.

The Sprint Series was created for this reality.

For the pace, the pressure, and the people carrying it. It’s more than a stretcher – it moves with you, not against you.

Designed to meet the demands of critical care demands of a fast-paced, high-stress environment, the Sprint Series supports everymove – so nurses can focus on what matters most.

This is how we imagine the next generation of stretchers.

The Stretcher Redefined.

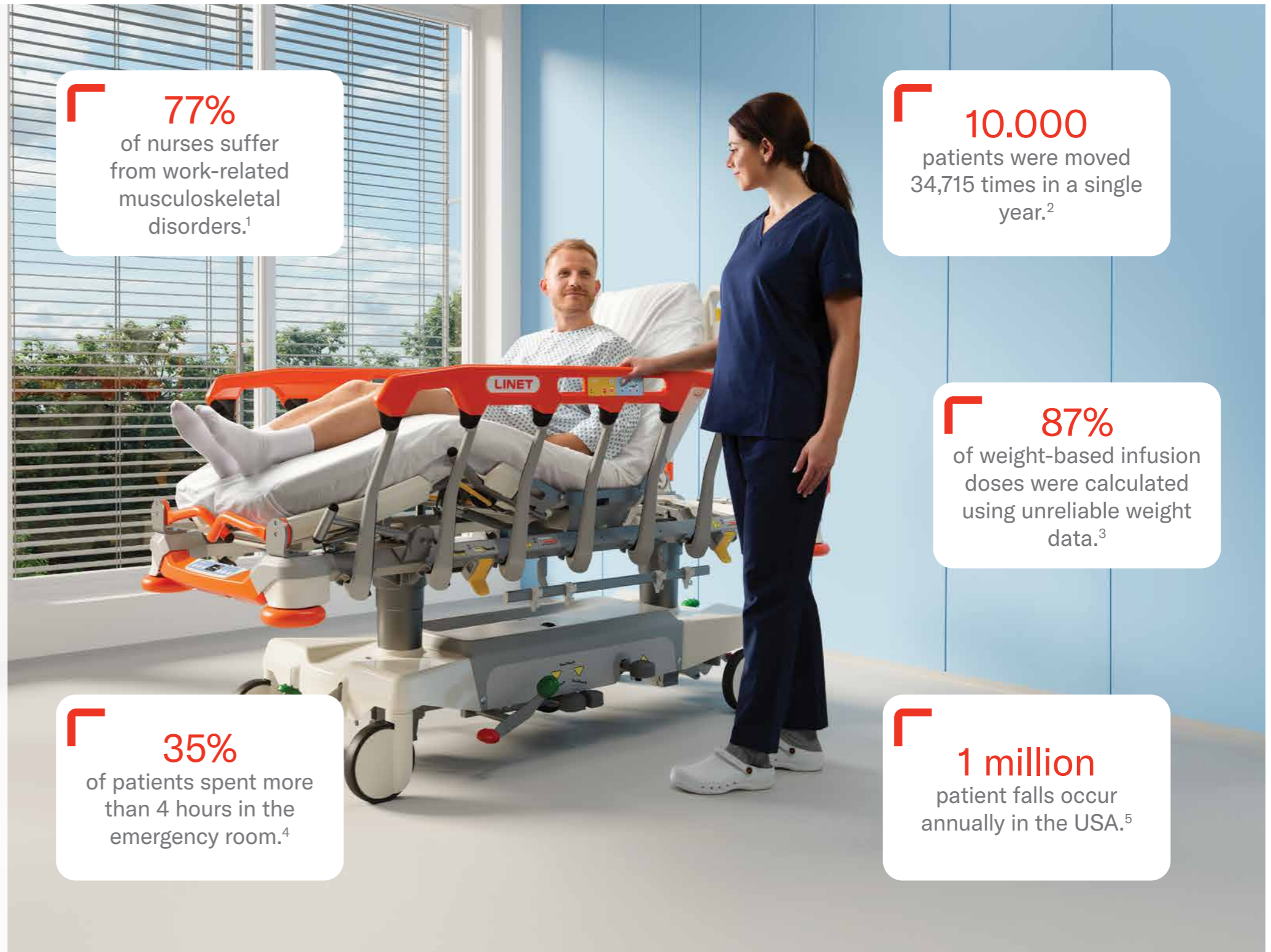
77% of nurses suffer from work-related musculoskeletal disorders.¹

35% of patients spent more than 4 hours in the emergency room.⁴

10,000 patients were moved 34,715 times in a single year.²

87% of weight-based infusion doses were calculated using unreliable weight data.³

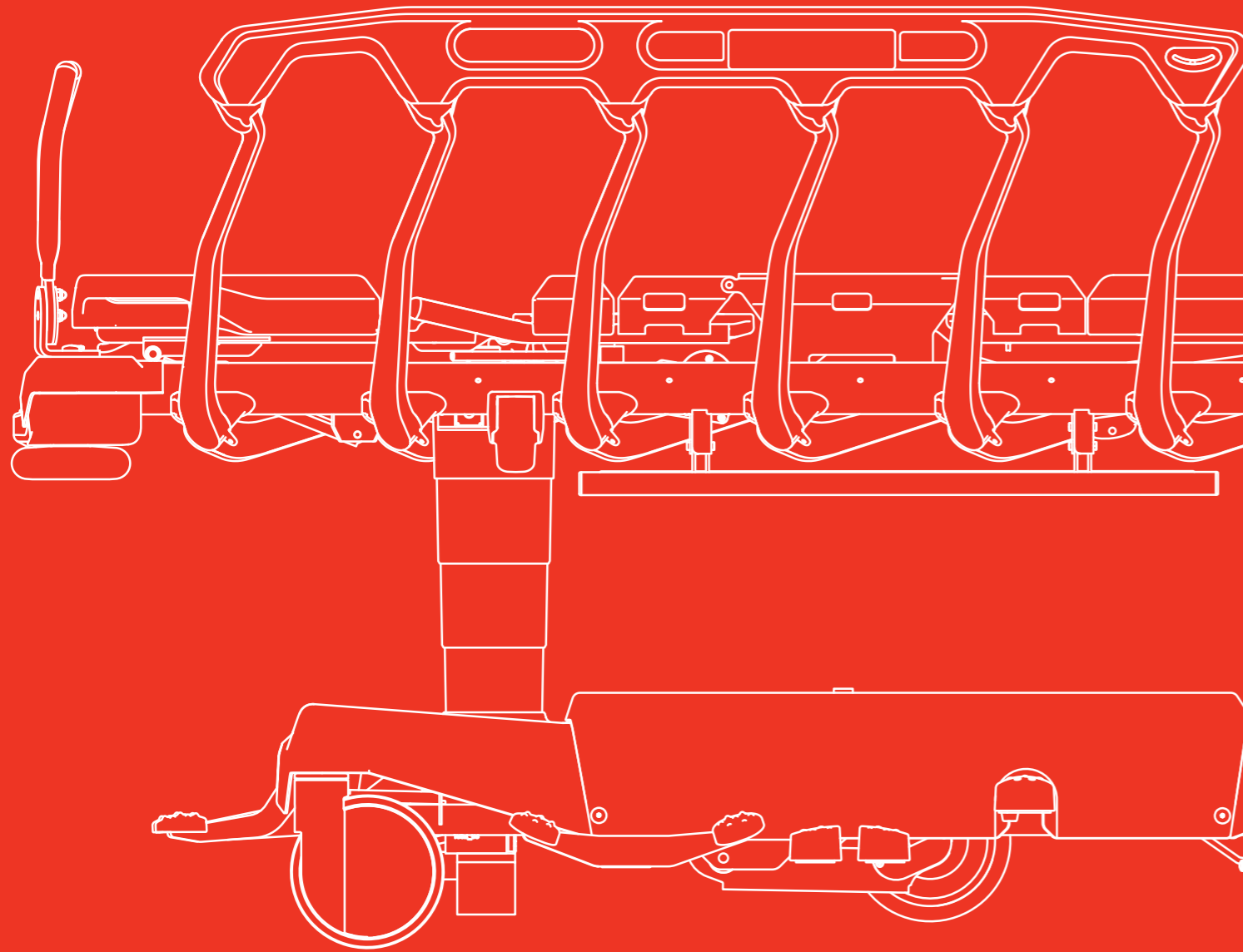
1 million patient falls occur annually in the USA.⁵



SPRINT SERIES

THE STRETCHER REDEFINED

Three decades of innovations in healthcare now brought into a stretcher in three key areas.



ERGONOMOMIC DRIVE THAT GOES THE DISTANCE



i-Drive Power® reduces transport related MSD costs by up to **80%**.⁶



FlexiDrive® makes steering easier for the caregiver and reduces initial push forces by **77%**.⁶



IV&Drive® allows the stretcher to be moved from any height without compromising ergonomic posture.⁶

SAFETY PROVEN IN MILLION CAREBEDS BROUGHT TO A STRETCHER



Multizone Bed Exit Alarm notifies staff when a patient leaves the stretcher.



Ergoframe® reduces the peak pressure in pelvic area by **16%**.⁷



Mobi-Lift® provides support for patients as they get off the stretcher.



Scales provide accuracy up to 0.5 kg and eliminate the need of transferring the patient to another surface.

EMPOWERED PATIENT COMFORT, UTMOST EFFICIENCY IN CARE



Electric positioning reduces physical strain on caregivers during patient repositioning.



Accessories compatibility ensures streamlined workflows across departments and minimizes issues from incompatibility.



USB integration allows easy and safe charging of patient's phone.



SPRINT 400

Premium Electric Emergency & Transport Stretcher



SPRINT 200

Premium Hydraulic Emergency & Transport Stretcher



SPRINT 100

Transport Stretcher

SOLUTIONS OVERVIEW

ENHANCED PATIENT OUTCOME



SUPPORT PATIENT RECOVERY
Comfortable positioning enhances recovery and improves circulation.



FALLS PREVENTION
Mobi-Lift® supports safe patient mobility, multizone bed exit alarm notifies staff when patients leave the stretcher, and secure siderails provide added protection to reduce fall risks.



PRESSURE INJURY PREVENTION
Ergoframe® reduces pelvic pressure, while pressure-redistributing mattresses ensure optimal support, lowering the risk of pressure injuries.



IMPROVE PATIENT EXPERIENCE
The patient integrated control panel and USB port empower patients with control and connectivity, enhancing comfort, autonomy, and overall well-being during their stay.

IMPROVED CAREGIVER & HOSPITAL WORKFLOW



EASY PATIENT TRANSPORTATION
i-Drive Power® reduces physical strain with motorized assistance, while IV&Drive® enables ergonomic handling, ensuring smoother, safer, and more efficient patient transport. And even without motorization, Sprint enables a 77% reduction in push force.⁶



SIMPLIFY CAREGIVER PROCEDURES
Electric positioning reduces strain during patient positioning, while foot support enables effortless leg positioning. Integrated scales provide accurate weight data without the need for transferring patients.



HOSPITAL OPERATIONS EFFICIENCY
Durable, easy-to-clean design enhances infection control, reduces maintenance, and ensures long-term clinical efficiency.



SUPPORT PATIENT RECOVERY

CHALLENGE

- More than **35%** of patients spent more than 4 hours in the emergency.⁴
- Nearly **14%** of emergency department visits were for respiratory and cardiovascular issues.⁴
- A wide variety of examinations and procedures are performed in emergency departments.⁴

SOLUTION

Comfortable positioning enhances recovery and improves blood circulation.

A WIDE RANGE OF POSITIONS



CARDIAC CHAIR

Improves patient's breathing and cardiovascular functions.⁸



VASCULAR LEG

An ergonomic position for lower extremity exercises and stretching.



TRENDELENBURG

All Sprint models support trendelenburg and reverse trendelenburg. Sprint 200 and 400 tilt up to 17°, while Sprint 100 tilts up to 18°.



FALLS PREVENTION

CHALLENGE

- **85.5 %** of falls happen unwitnessed.⁹
- There are up to **1 million** patient falls annually in the USA.⁵
- **One-third** of falls can be prevented.⁵

SOLUTION

Mobi-Lift® supports safe patient mobility, multizone bed exit alarm notifies staff when patients leave the stretcher, and secure siderails provide added protection to reduce fall risks.



MOBI-LIFT®

Provides support for patients as they get off the stretcher.



MULTIZONE BED EXIT ALARM

The multizone monitoring system notifies staff when a patient leaves the stretcher.

SECURE SIDERAILS

Secure siderails cover most of the stretcher's length and can be easily released from both sides whenever needed.





PRESSURE INJURY PREVENTION

CHALLENGE

- More than **35%** of patients spent more than 4 hours in the emergency.⁴
- Patients at risk of pressure injuries should be transported using a **pressure-redistributing support surface**.¹⁰
- Pressure injuries can develop in up to **78.4%** of patients in the emergency department.¹¹

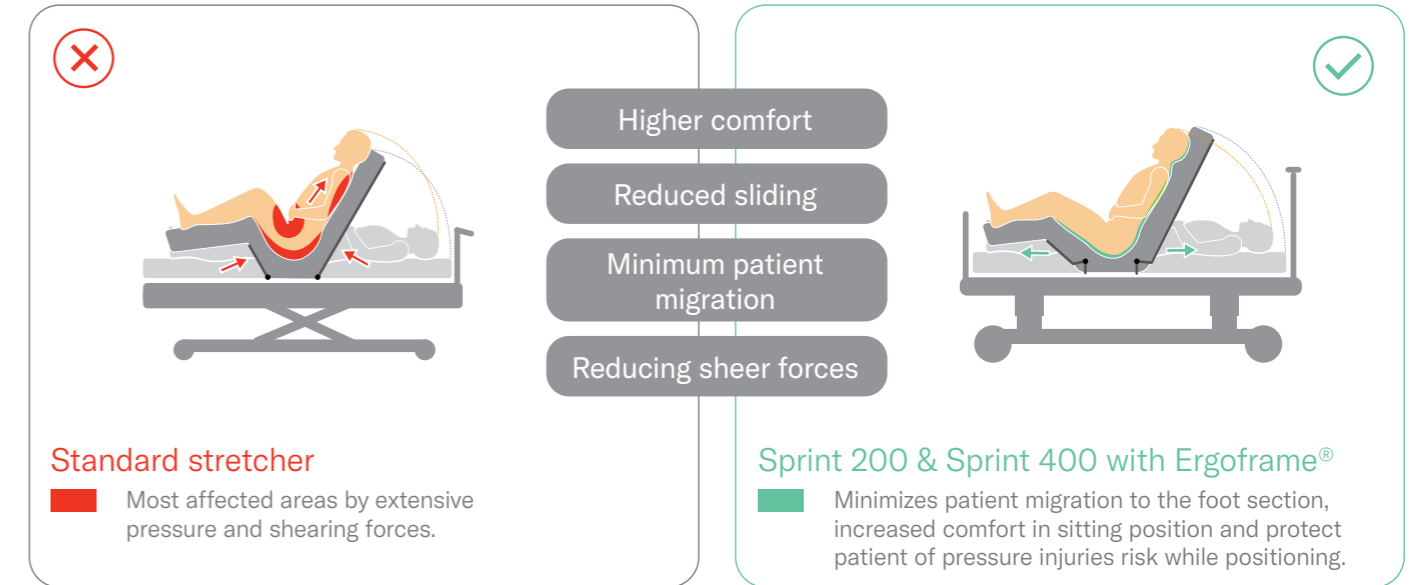


SOLUTION

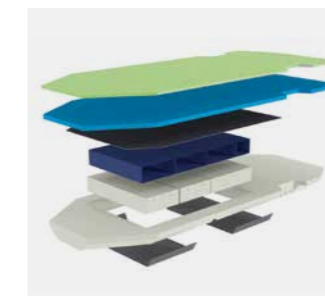
Ergoframe[®] reduces pelvic pressure, while **pressure-redistributing mattresses** ensure optimal support, lowering the risk of pressure injuries.

ERGOFRAME[®] SPRINT 200, 400

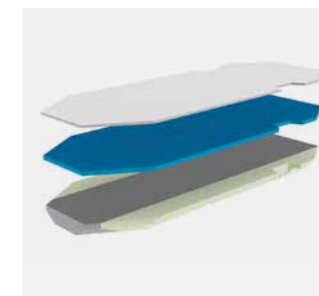
Unique frame design increases patient comfort and reduces peak pressure in the pelvic area by 16%.⁷



SPRINT MATTRESS OPTIONS FOR EVERY PATIENT'S NEEDS



Reactive
 Air cell technology with a viscoelastic foam layer for pressure redistribution. Highly supports patients in supine or semi-sitting positions and those at high risk of pressure injuries. Includes fluid ingress protection.



Advanced
 Features viscoelastic foam to effectively reduce peak pressures. Designed for patients requiring enhanced support and comfort. Includes fluid ingress protection, same as the Reactive option.



Comfort
 Provides a cost-effective balance of support and pressure relief. The viscoelastic foam layer enhances overall comfort, making it suitable for a broad range of clinical applications.



Standard
 Constructed with high-quality polyurethane foam, offering reliable support for short-term care or patients at lower risk of pressure injuries.

For more details, refer to the presentation for an in-depth comparison of mattress features and specifications.



IMPROVE PATIENT EXPERIENCE

CHALLENGE

- More than **35%** of patients spent more than 4 hours in the emergency.⁴
- **Loss of autonomy, unmet expectations,** and **vulnerability** may be experienced in the emergency department.¹²
- Patients may experience **discomfort** while lying on the stretcher.



SOLUTION

The **patient integrated control panel** and **USB port** empower patients with control and connectivity, enhancing comfort, autonomy, and overall well-being during their stay.

ILLUMINATED INTEGRATED PATIENT CONTROLS



Allow patients to adjust the stretcher while seated or lying down, resulting in:

- Higher comfort
- Effortless adjustments
- Enhanced visibility
- Increased patient autonomy

THE INTEGRATED USB PORT



Allows patients on the stretcher to safely and easily charge their phones, leading to:

- Enhanced patient connectivity
- Improved well-being
- Sense of normalcy during recovery

MOBI-GRIPS

Assist the patient with self-mobilization to prevent immobility while on the stretcher.



HEAD SUPPORT

The adjustable head support enhances comfort and adapts to positioning needs.



ERGOFRAME®

Ergoframe® reduces friction and shear forces in the pelvic area, enhancing comfort during positioning.





EASY PATIENT TRANSPORTATION

CHALLENGE

- Patient transport can lead to the development of MSDs.¹³
- More than 50% of nurses worldwide suffer from MSDs in the lower back.^{14,1}
- More than 10,000 patients were moved 34,715 times in a single year.²
- Patient transfers took an average of 42 minutes, while bed transfers required 11 minutes of nurses' time.²



SOLUTION

i-Drive Power[®] reduces physical strain with motorized assistance, while IV&Drive[®] enables ergonomic handling, ensuring smoother, safer, and more efficient patient transport. And even without motorization, Sprint enables a 77% reduction in push force.⁶

I-DRIVE POWER[®]

Reduces transport related MSD costs by up to 80%.⁶

SPRINT 200, 400

SAFETYSENSE[®]

detects the caregiver's hand and stops the stretcher immediately when the hand is removed.

SPRINT 200, 400



EASYBRAKE[®]

Foot levers on all sides allow caregivers to easily activate or release the brakes. The ergonomic design ensures visibility and comfort.

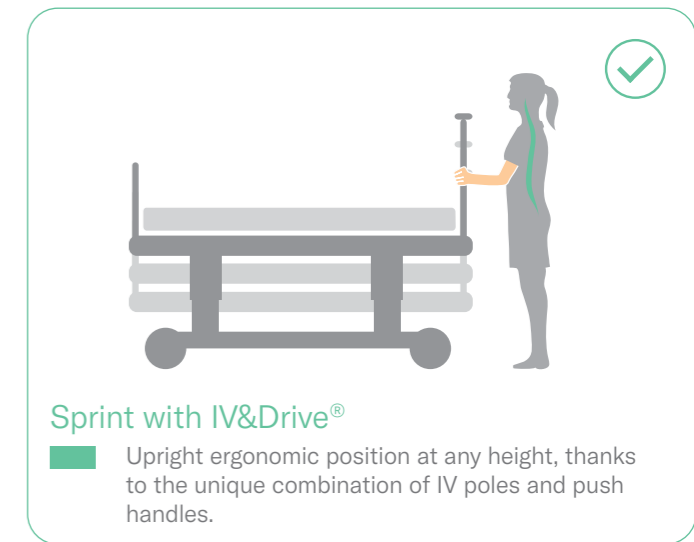
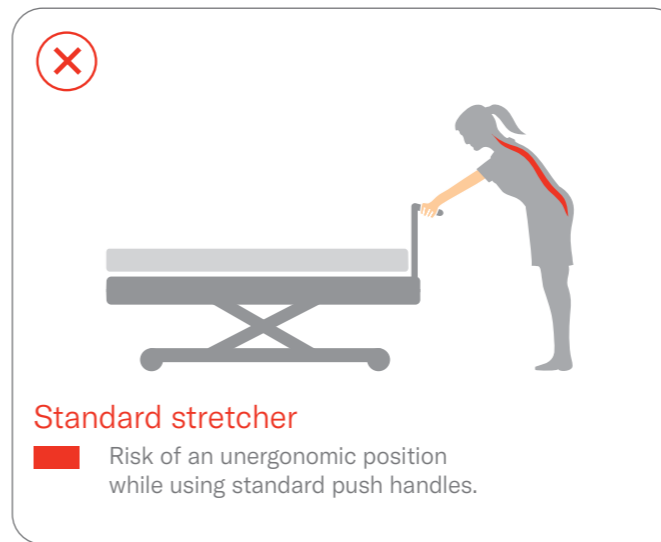


FLEXIDRIVE[®] OPTION

Sprint can be equipped with a retractable 5th wheel featuring a shock absorber, making steering easier.

IV&DRIVE[®]

IV&Drive, a unique Innovation, combines IV-poles with push handles, allowing the stretcher to be moved from any height without compromising ergonomic posture.





SIMPLIFY CAREGIVER PROCEDURES

CHALLENGE

- Almost **87.6%** of doses for weight-based infusions were calculated using unreliable weight data.³
- Transferring a patient from one surface to another poses a risk of developing MSDs.¹⁵
- **77.2%** of nurses suffer from work-related musculoskeletal disorders.¹
- Almost **37%** of emergency department visits required an X-ray examination.⁴



SOLUTION

Electric positioning reduces strain during patient positioning, while foot support enables effortless leg positioning. Integrated scales provide accurate weight data without the need for transferring patients.

ELECTRIC POSITIONING

SPRINT 400

Allows caregivers to adjust the mattress platform at the push of a button, leading to:

- Effortless adjustments
- Reduces physical strain
- Enhances efficiency
- Saves caregivers time, as patients can reposition themselves
- Battery back-up



INTEGRATED SCALES

With 0.5 kg precision, it prevents medication overdoses and avoids patient transfers.

SPRINT 200, 400



ZEROGAP SIDERAILS

Eliminate gaps between surfaces, ensuring seamless and efficient patient transfers.¹⁶

SPRINT 200, 400



FOOT SUPPORT

Allows caregivers to adjust leg position effortlessly for optimal patient support, reducing caregiver strain.

SPRINT 200, 400



X-RAY COMPATIBILITY

Sprint features an X-ray sleeve and X-ray cassette holder for imaging without transferring the patient.*





HOSPITAL OPERATIONS EFFICIENCY

CHALLENGE

- The need for **fast and effective cleanability** of the equipment to ensure infection prevention.
- The most frequently cleaned surfaces in the emergency department are **mattresses and stretcher siderails**.¹⁷
- **Malfunctions** of stretchers can play a significant role in caregiver injuries.¹⁸



SOLUTION

Durable, easy-to-clean design enhances infection control, reduces maintenance, and ensures long-term clinical efficiency.

ACCESSORIES COMPATIBILITY ACROSS THE SPRINT SERIES

A standardized line of accessories compatible across the Sprint series enhances caregiver workflow across all departments and reduces variability caused by incompatibility issues.



LEADING-EDGE DESIGN & MATERIALS

A standardized line of accessories compatible across the Sprint series enhances caregiver workflow across all departments and reduces variability caused by incompatibility issues.



Easy to clean

With its column design, smooth surfaces, and accessible undercarriage, Sprint is easy to clean and maintain.



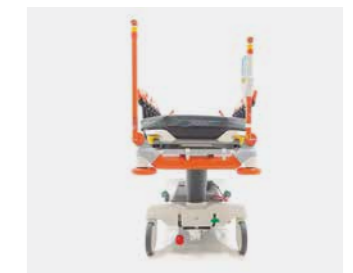
Durable siderails

Plastic siderails reinforced with fiberglass can withstand 2.2x more force than the recommended standard.¹⁹



IV&Drive®

IV poles resist breakage under standard use and provide 5x the recommended force resistance.⁶



Removable mattress platform parts

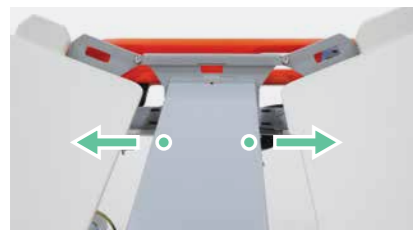
The mattress platform is made of one-piece plastic sections that are removable, easy to clean, and disinfect, with no sharp edges or corners.

KEY FEATURES OVERVIEW & SPRINT PORTFOLIO COMPARISON

ENHANCED PATIENT OUTCOMES

	SPRINT 400	SPRINT 200	SPRINT 100
Support Patient Recovery	<div style="width: 100%; height: 10px; background-color: red;"></div>	<div style="width: 100%; height: 10px; background-color: red;"></div>	<div style="width: 100%; height: 10px; background-color: red;"></div>
4-section Mattress Platform	●	○	○
Pressure Injury Prevention	<div style="width: 100%; height: 10px; background-color: red;"></div>	<div style="width: 100%; height: 10px; background-color: red;"></div>	<div style="width: 100%; height: 10px; background-color: red;"></div>
Ergoframe®	●	●	—
Advanced Mattress Options	●	●	●
Falls Prevention	<div style="width: 100%; height: 10px; background-color: red;"></div>	<div style="width: 100%; height: 10px; background-color: red;"></div>	<div style="width: 100%; height: 10px; background-color: red;"></div>
Mobi-Lift®	○	○	—
Multizone Bed Exit Alarm	○	○	—
Secure Siderails	●	●	●
Improve Patient Experience	<div style="width: 100%; height: 10px; background-color: red;"></div>	<div style="width: 100%; height: 10px; background-color: red;"></div>	<div style="width: 100%; height: 10px; background-color: red;"></div>
Patient Integrated Control Panel	●	—	—
USB Integration	○	—	—
Mobi-Grips	●	●	—
Large Mattress Platform	●	●	○
Head Support	○	○	—

● Standard ○ Optional — Not available



Ergoframe® reduces patient discomfort during positioning of back and thigh rest.



Mobi-Lift® handle provides support for patients as they get off the stretcher.



Multizone Bed Exit Alarm notifies staff when a patient leaves the stretcher.



Integrated Patient controls allow patients to adjust their positions independently, improving autonomy and their overall experience.



USB integration allows patients on the stretcher to safely and easily charge their phones.

IMPROVED CAREGIVER & HOSPITAL WORKFLOW

	SPRINT 400	SPRINT 200	SPRINT 100
Easy Patient Transportation	<div style="width: 100%; height: 10px; background-color: blue;"></div>	<div style="width: 100%; height: 10px; background-color: blue;"></div>	<div style="width: 100%; height: 10px; background-color: blue;"></div>
i-Drive Power® with SafetySense®	○	○	—
FlexiDrive®	○	○	○
EasyBrake®	●	●	●
IV&Drive®	○	○	○
Simplify Caregivers Procedures	<div style="width: 100%; height: 10px; background-color: blue;"></div>	<div style="width: 100%; height: 10px; background-color: blue;"></div>	<div style="width: 100%; height: 10px; background-color: blue;"></div>
Electric Positioning (Caregiver Integrated Controls)	●	—	—
Scales	○	○	—
X-ray Cassette Holder	—	—	○
X-ray Sleeve (Mattress)	○	○	—
CPR	Manual + Electric*	Manual	Manual
ZeroGap Siderails	●	●	—
Trendelenburg Pedal at Head Side	○	○	—
Hospital Operations Efficiency	<div style="width: 100%; height: 10px; background-color: blue;"></div>	<div style="width: 100%; height: 10px; background-color: blue;"></div>	<div style="width: 100%; height: 10px; background-color: blue;"></div>
Durable Parts	●	●	●
Removable Mattress Platform Parts	●	●	—
Advanced Accessories Compatibility (Head Support & Foot Support)	●	●	—

● Standard ○ Optional — Not available * Only flattens the mattress platform



i-Drive Power® with SafetySense® reduces physical effort, simplifying it to the push of a button.



IV&Drive® combines IV poles with push handles, allowing the stretcher to be moved from any height ergonomically.



EasyBrake® ensures braking with minimal effort for caregivers from all four sides.



Integrated caregiver controls allow them to effortlessly adjust the backrest and thighrest, reducing musculoskeletal disorders.



Scales with 0.5 kg accuracy are designed to eliminate the need to transfer the patient to another surface.



ZeroGap eliminate gaps between surfaces & **SoftDrop siderails** lower smoothly, gently, and silently.

TECHNICAL SPECIFICATIONS

	SPRINT 400	SPRINT 200	SPRINT 100
Safe Working Load	320 kg (705 lb)	320 kg (705 lb)	320 kg (705 lb)
Maximum Patient Weight	280 kg (617 lb)	280 kg (617 lb)	280 kg (617 lb)
Average Stretcher Weight	171 kg (377 lb)	161 kg (355 lb)	161 kg (355 lb)
Maximum Backrest/ Thighrest/ Calcrest Angle	90°/ 40°/ 25°	90°/ 40°/ 25°	90°/ 40°/ 25°
Trendelenburg/ Reverse Trendelenburg Position	+17° / -17°	+17° / -17°	+18°/-18°
External Dimensions*	216 (85 in) cm × 89 cm (35 in)	216 (85 in) cm × 89 cm (35 in)	211 cm (83 in) × 76 cm (30in), 86 cm (34 in)
Mattress Platform Height	53 cm (21 in) – 86 cm (34 in)	53 cm (21 in) – 86 cm (34 in)	55.5 cm (22 in) – 88 cm (35 in)
Castor Diameter	20 cm (7.9 in)	20 cm (7.9 in)	20 cm (7.9 in)
Clearance of Undercarriage	10.7 cm (4.2 in)	10.7 cm (4.2 in)	10.7 cm (4.2 in)

* Standard Bed Position (length × width)

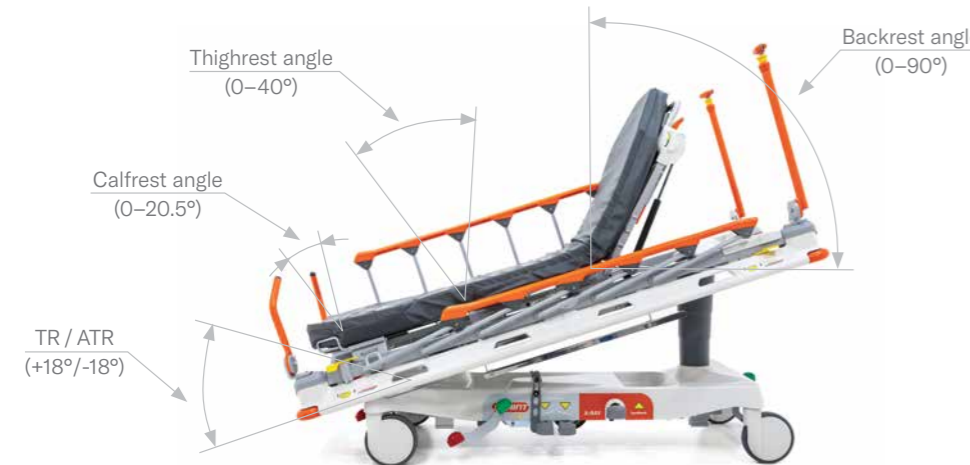
SPRINT 200



SPRINT 400



SPRINT 100



ACCESSORIES

High-quality healthcare accessories that allow patients and caregivers maximize the use of stretchers.



Foot Support*



Head Support



IV Poles*



3-in-1 Shelf*



Paper Roll Holder*



Oxygen Bottle Holder

ERGONOMIC DRIVE THAT GOES THE DISTANCE

Ergonomic drive that goes the distance – taking patient transport to the next level, because in a busy hospital, every second and every step counts. Sprint delivers smoother transport, reduces caregiver strain, and improves efficiency at every turn.



SAFETY PROVEN IN MILLION CAREBEDS BROUGHT TO A STRETCHER

Proven safety from millions of carebeds, now on a stretcher. Leveraging 30 years of experience, we've integrated trusted bed solutions into our stretchers – ensuring safety, comfort, and efficiency at every stage of care.



EMPOWERED PATIENT COMFORT, UTMOST EFFICIENCY IN CARE

Sprint empowers patient comfort and delivers utmost efficiency in care through electric positioning and a wide range of accessories – setting new industry standards, enhancing the patient experience, and saving valuable time for caregivers.



REFERENCES

- 1 Sun W, Yin L, Zhang T, Zhang H, Zhang R, Cai W. Prevalence of Work-Related Musculoskeletal Disorders among Nurses: A Meta-Analysis. Iran J Public Health. 2023 Mar;52(3):463-475. doi: 10.18502/ijph.v52i3.12130. PMID: 37124897; PMCID: PMC10135498.
- 2 Blay N, Roche MA, Duffield C, Gallagher R. Intrahospital transfers and the impact on nursing workload. J Clin Nurs. 2017 Dec;26(23-24):4822-4829. doi: 10.1111/jocn.13838. Epub 2017 Jul 10. PMID: 28382638.
- 3 Maskin LP, Attie S, Setten M, Rodriguez PO, Bonelli I, Stryjewski ME, Valentini R. Accuracy of weight and height estimation in an intensive care unit. Anaesth Intensive Care. 2010 Sep;38(5):930-4. doi: 10.1177/0310057X1003800519. PMID: 20865881.
- 4 Cairns C, Kang K. National Hospital Ambulatory Medical Care Survey: 2021 emergency department summary tables. Available from: https://ftp.cdc.gov/pub/Health_Statistics/NCHS/Dataset_Documentation/NHAMCS/doc21-ed-508.pdf.
- 5 Preventing Falls in Hospitals. Agency for Healthcare Research and Quality, Rockville, MD. [Cited: Feb 2024]. Available from: <https://www.aahr.gov/patient-safety/settings/hospital/fall-prevention/toolkit/index.html>
- 6 LINET White paper. 2025 Best practice for patient transport in Sprint 200 for reducing WRMSDs.
- 7 LINET White paper. 2025 Enhanced features of Sprint 200 stretcher that support the prevention of pressure injuries.
- 8 Caraviello KA, Nemeth LS, Dumas BP. Using the beach chair position in ICU patients. Crit Care Nurse. 2010 Apr;30(2): S9-S11. doi: 10.4037/ccn2010425. PMID: 20360446.
- 9 Staggs VS, Mion LC, Shorr RI. Assisted and unassisted falls: different events, different outcomes, different implications for quality of hospital care. Jt Comm J Qual Patient Saf. 2014 Aug;40(8):358-64. doi: 10.1016/j.s1553-7250(14)40047-3. PMID: 25208441; PMCID: PMC4276137.
- 10 EPUAP/NPIAP/PPPIA. 2019. Prevention and Treatment of Pressure Ulcers/Injuries: Clinical Practice Guideline. 2019.
- 11 Sardo PMG, Teixeira JPF, Machado AMSF, Oliveira BF, Alves IM. A systematic review of prevalence and incidence of pressure ulcers/injuries in hospital emergency services. J Tissue Viability. 2023 May;32(2):179-187. doi: 10.1016/j.jtv.2023.02.001. Epub 2023 Feb 3. PMID: 36792441.
- 12 Craston AIP, Scott-Murfit H, Omar MT, Abeyratne R, Kirk K, Mackintosh N, Roland D, van Oppen JD. Being a patient in a crowded emergency department: a qualitative service evaluation. Emerg Med J. 2024 Jul 30;emermed-2023-213751. doi: 10.1136/emermed-2023-213751. Epub ahead of print. PMID: 39084692.
- 13 Vinstруп J, Jakobsen MD, Madeleine P, Andersen LL. Biomechanical load during patient transfer with assistive devices: Cross-sectional study. Ergonomics. 2020 Sep;63(9):1164-1174. doi: 10.1080/00140139.2020.1764113. Epub 2020 May 21. PMID: 32362200.
- 14 Jacquier-Bret J, Gorce P. Prevalence of Body Area Work-Related Musculoskeletal Disorders among Healthcare Professionals: A Systematic Review. Int J Environ Res Public Health. 2023 Jan 2;20(1):841. doi: 10.3390/ijerph20010841. PMID: 36613163; PMCID: PMC9819551.
- 15 Waters T, Babbiste A, Short M, Plante-Mallon L, Nelson A. AORN ergonomic tool 1: Lateral transfer of a patient from a stretcher to an OR bed. AORN J. 2011 Mar;93(3):334-9. doi: 10.1016/j.aorn.2010.08.025. PMID: 21353805.
- 16 LINET White paper. 2025. An evaluation of lateral patient transfer with the Sprint 200 using different transfer tools.
- 17 Liang SY, Riethman M, Fox J. Infection Prevention for the Emergency Department: Out of Reach or Standard of Care? Emerg Med Clin North Am. 2018 Nov;36(4):873-887. doi: 10.1016/j.emc.2018.06.013. Epub 2018 Sep 6. PMID: 30297010; PMCID: PMC6203442.
- 18 Mansfield B, Shofer FS, Green-McKenzie J. The Effect of Introduction of Motorized Stretchers on Hospital-Based Patient Transporter Injuries and Resultant Workers' Compensation Costs. J Occup Environ Med. 2021 Dec 1;63(12):1078-1080. doi: 10.1097/JOM.0000000000002319. PMID: 34860204.
- 19 LINET White paper. 2025 Can plastic siderails surpass steel on Sprint 200?



Members of LINET Group

LINET spol. s r.o. | Železčice 5, 274 01 Slaný | Czech Republic
tel.: +420 312 576 400 | fax: +420 312 522 668 | e-mail: info@linet.com | www.linet.com

